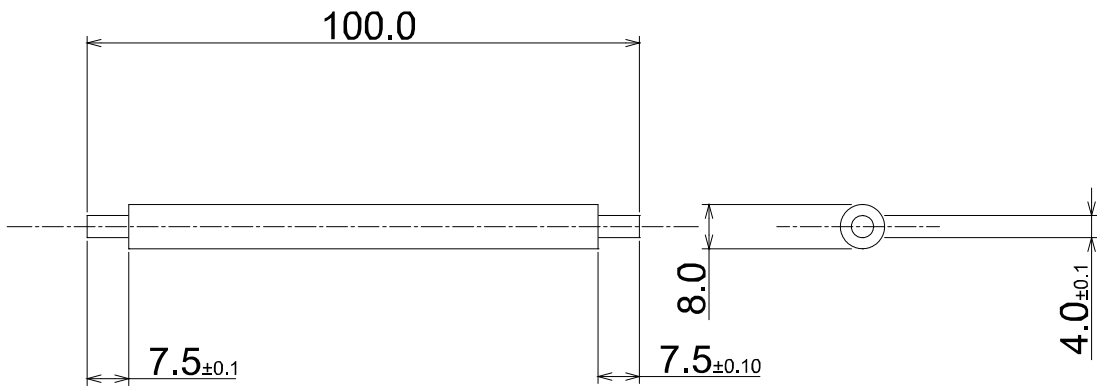



Scale 1 : 1



	Part: Cross bar
	All dimensions in mm
	Tolerance +/- 0.5mm
Material : BDMS 220M07 BS970	
Drawn by R. Crocker Date 20/08/04	

University of Plymouth

Manufacturing and Fabrication Techniques

Faculty of Technology