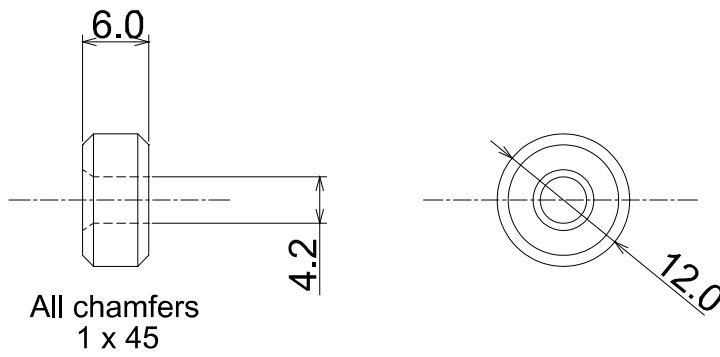


Scale 2 : 1



	Part: End Cap
	All dimensions in mm
	Tolerance +/- 0.5mm
	Material : BDMS 220M07 BS970
Drawn by R. Crocker Date 20/08/04	

University of Plymouth

Manufacturing and Fabrication Techniques

Faculty of Technology